



# SY16C

## SMART ENERGY SAVING HIGH-PRODUCT QUALITY

**NEW CHANGE** QUALITY  
CHANGES THE WORLD



## SELLING POINTS

### ● Efficient environmental protection

GBIII environmental engine, optimized power matching technology, to achieve high efficiency and low emissions.

### ● Good handling

Application of mature load-sensitive systems and independent research and development of hydraulic debugging technology, to achieve excellent handling.

### ● Safe and comfort

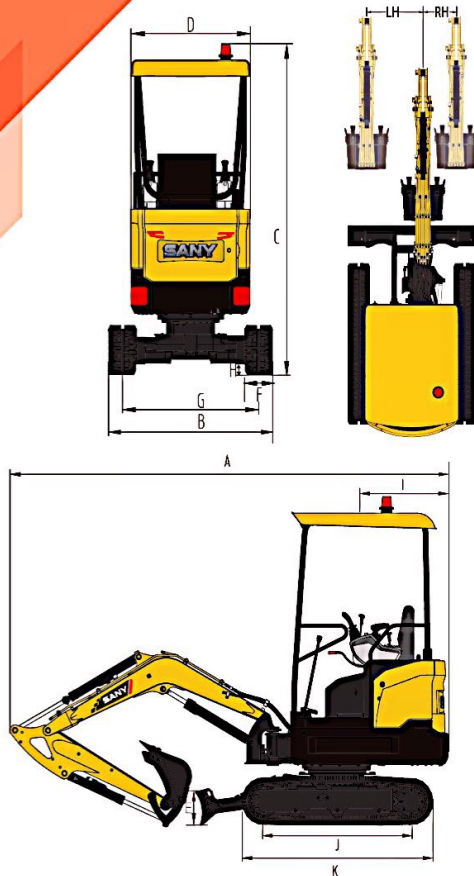
Standard cab, a new design of the shock absorption system, multiple noise reduction design, operation more secure, and more comfortable.

### ● Stable and reliable

Enhanced working device and high-strength rotary platform, the whole performance is more stable and reliable.

## Total machine size(mm)

standard



	SY16C
A Total length (transport)	3640
B Total width (transport / operation)	980/1350
C Total height (transport)	2440
D Upper width	980
E Bulldozing height	270
F Standard track shoe width	230
G Gauge (transport / operation)	750/1120
H Minimum ground clearance	180
I Tail radius of rotation	920
J Crawler ground length	1220
K Length of track	1585

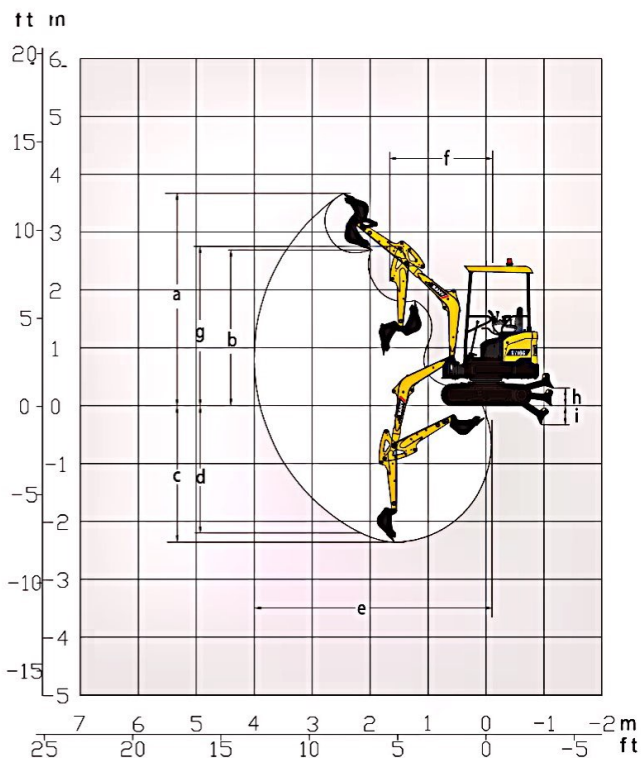
## Performance parameters

standard

	SY16C
Total machine weight kg	1880
Bucket capacity m <sup>3</sup>	0.02-0.06(0.04)
Rated power KW/rpm	10.3/2200
Walking speed (high / low) km/h	3.7/2.1
Swing speed rpm	10
Gradeability	58%/30°
Grounding pressure kPa	29.1
Bucket digging force kN	15.2
Sticking digging force kN	9.2

## Operating range(mm)

standard



	SY16C
a Maximum excavation height	3665
b Maximum unloading height	2635
c Maximum excavation depth	2360
d Maximum vertical arm excavation depth	2215
e Maximum excavation distance	4000
f Minimum turning radius	1655
g Maximum height at minimum turning radius	2745
h Maximum ground clearance when the bulldozer lifts	310
i The depth of the bulldozer sank	320
RH / LH. Maximum bucket offset	350/595

## Shanghai Sany Heavy Machinery (Shares) Co.,Ltd

Shanghai Sany Heavy Machinery Park, Ping'an Town,  
Fengxian District, Shanghai, China

Zip code : 201413

Service hotline : 4008-28-2318

Consult and complaint telephone : 4008-87-9318

Website : <http://www.sany.com.cn>



## Note

Material and technical specifications are subject to change without notice due to technical updates.  
The machine on the photo may include additional equipment.

ZJSYX0604CH(January 2016)

Printed in CHINA